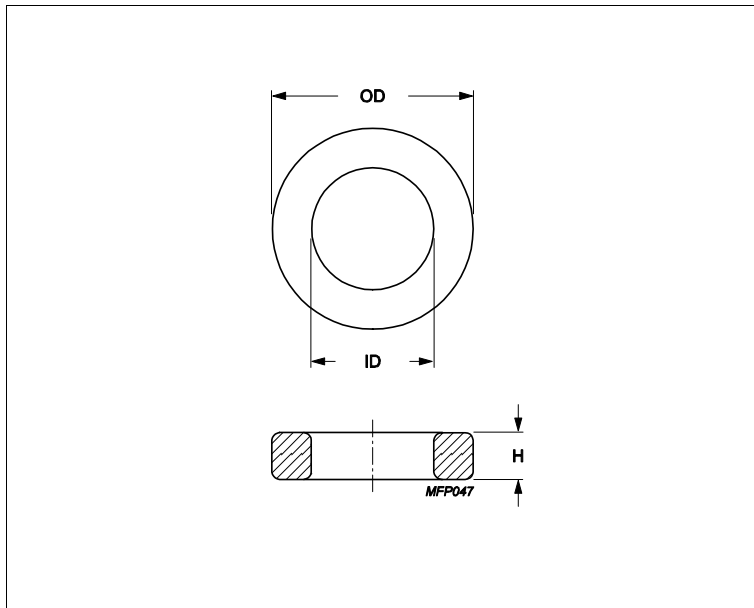


Core **Toroid 5.8/3.1/3.2**



Effective parameters			
	Parameter	Value	Unit
$\Sigma(I/A)$	core factor (C1)	3.04	mm ⁻¹
Ve	effective volume	55.8	mm ³
Le	effective length	13	mm
Ae	effective area	4.28	mm ²
m	mass of core	≈ 0.31	g/pcs

Epoxy coating DC isolation voltage 1000.

Maximum operating temperature of the coating is 90°C.

Dimensions (mm)

Cores	OD	ID	H	
TC5.8/3.1/3.2	5.99 max	2.9 min	3.33 max	Parylen Coated

Core data

Cores	Material	Al (nH/turns ²)	Al tolerance	$\mu\epsilon$
TC5.8/3.1/3.2	3E27	2270	± 25%	≈ 5500
TC5.8/3.1/3.2	3E6 (3E10-M)	4130	± 30%	≈ 10000