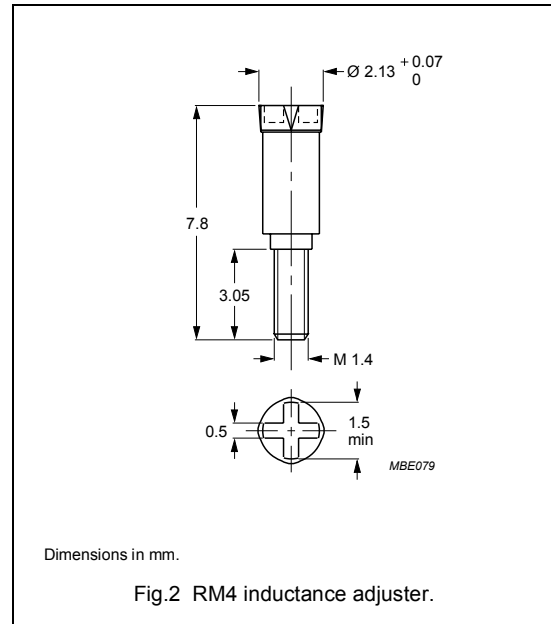


**INDUCTANCE ADJUSTERS**

**General data**

PARAMETER	SPECIFICATION
Material of head and thread	polypropylene (PP), glass fibre reinforced
Maximum operating temperature	125 °C



**Inductance adjuster selection chart <sup>sup</sup> (applies to all types)**

GRADE	A <sub>L</sub> (nH)	TYPES FOR LOW ADJUSTMENT	ΔL/L % <sup>(1)</sup>	TYPES FOR MEDIUM ADJUSTMENT	ΔL/L % <sup>(1)</sup>	TYPES FOR HIGH ADJUSTMENT	ΔL/L % <sup>(1)</sup>
3H3; 3D3	63	–	–	–	–	ADJ-RM4/RM5-RED	27
	100	–	–	ADJ-RM4/RM5-RED	17	ADJ-RM4/RM5-BROWN	25
	160	ADJ-RM4/RM5-GREEN	5	ADJ-RM4/RM5-BROWN	14	ADJ-RM4/RM5-GREY	26
	250	ADJ-RM4/RM5-RED	5	ADJ-RM4/RM5-GREY	12	ADJ-RM4/RM5-BLACK	17

**Note**

1. Maximum adjustment range.