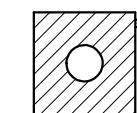
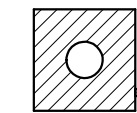


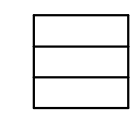
FERROXCUBE



c

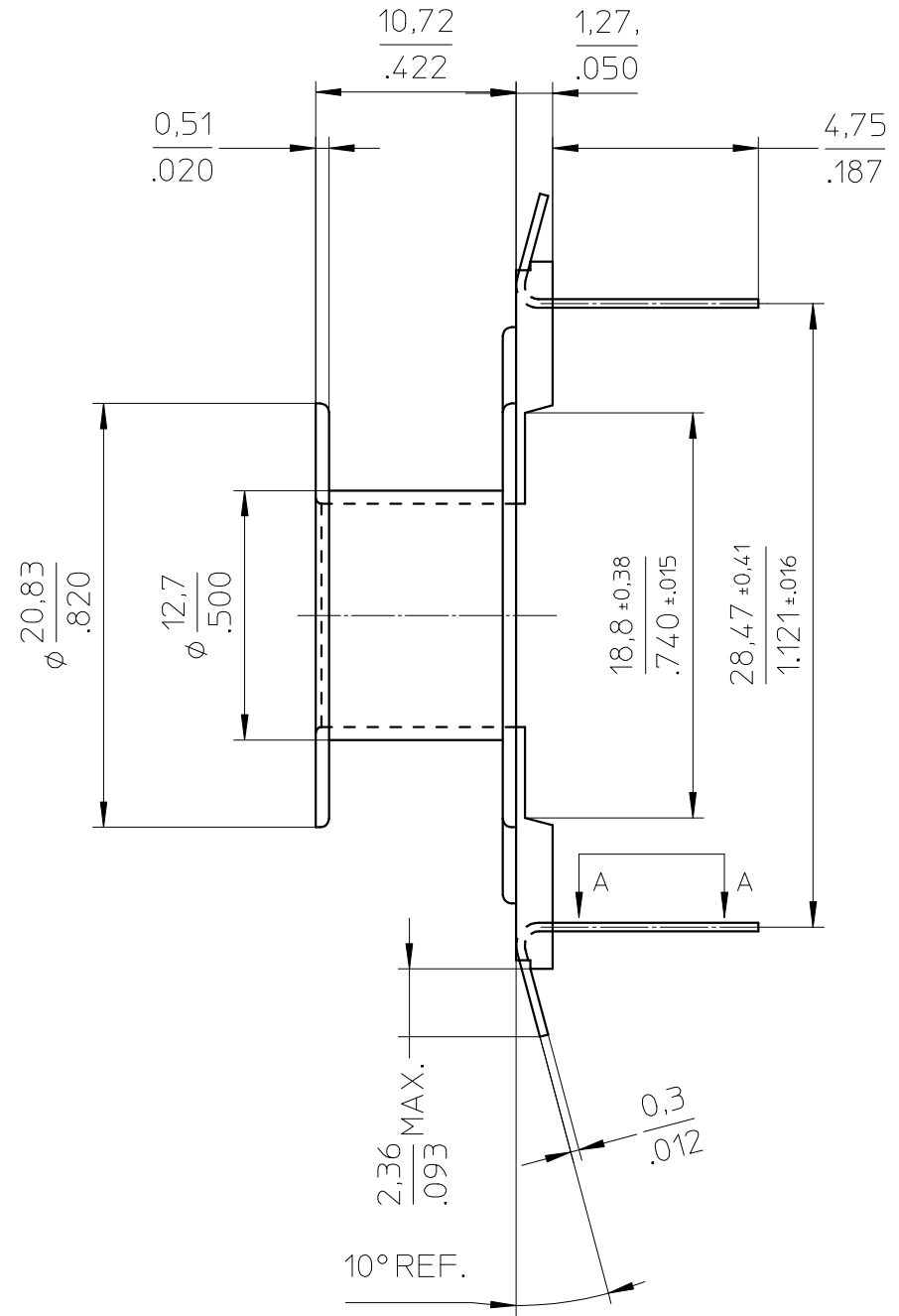
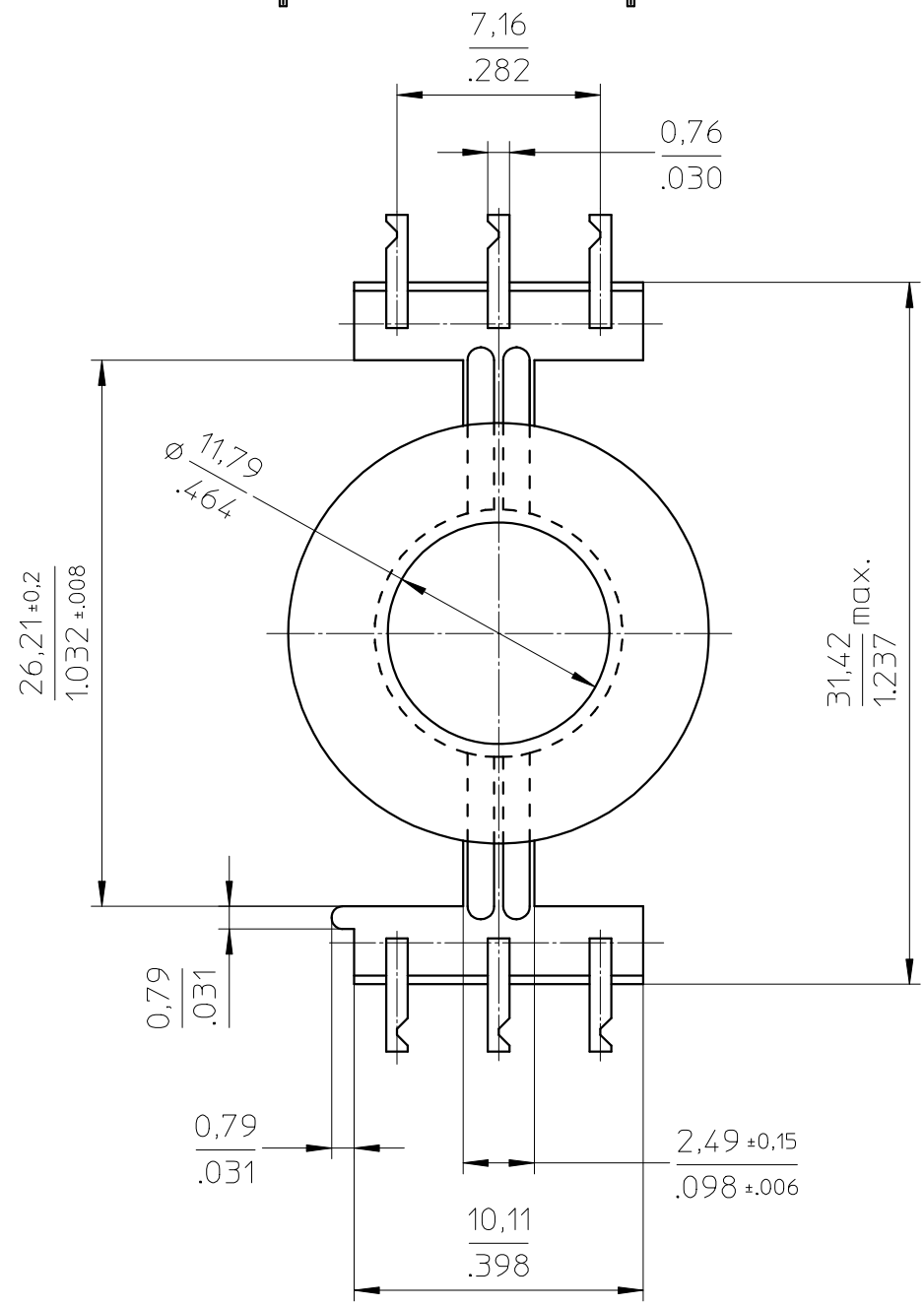


e

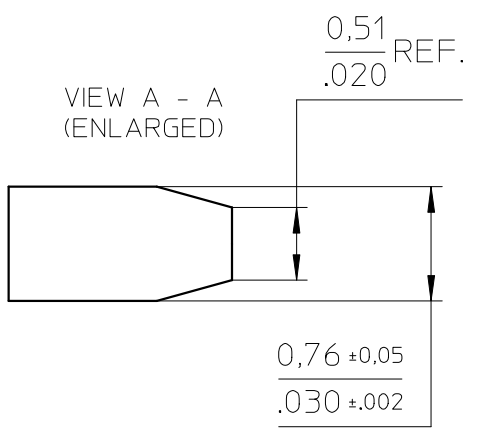
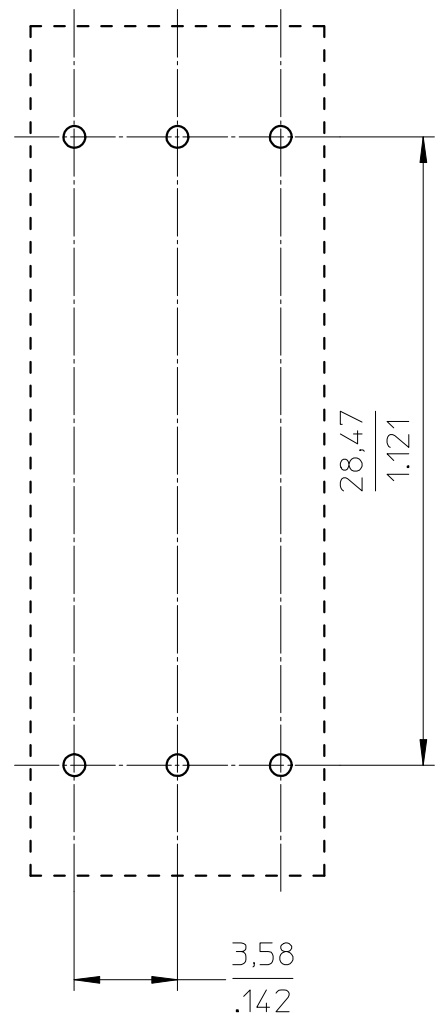


Dimensions [$\frac{\text{mm}}{\text{inch}}$]

1 2 3 4 5 6 7 8



Grid pattern



Coil former material: Zytel FR50 (PA6.6), glass-reinforced.
 UL file number: E41938 - UL94V-0.
 max. operating temp: 130°C, class B
 pin material: brass, Ni flash, SnPb plated.
 solderability: acc. to IEC 60 068-2-20 part2, Test Ta method 1, 235°C-2sec.
 mean length of turn: 2.073 inch (52.7 mm)
 winding area: 0.061 sq. inch (39.4 mm²)

CLASS.NO.	CPV-P26/16-1S-6PD		06-01-19
	4335 000 26581		
NAME NAAM	Wojtasz	SUPERS. VERV.	SH SH BL BL 112 - 001
MPA	CHECK CONTR.	DAT.	06-01-19
		Property of Eigendom van	© FERROXCUBE 2000
			A3

1 2 3 4