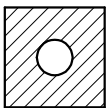
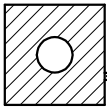


FERROXCUBE



1

2

3

4

a

b

c

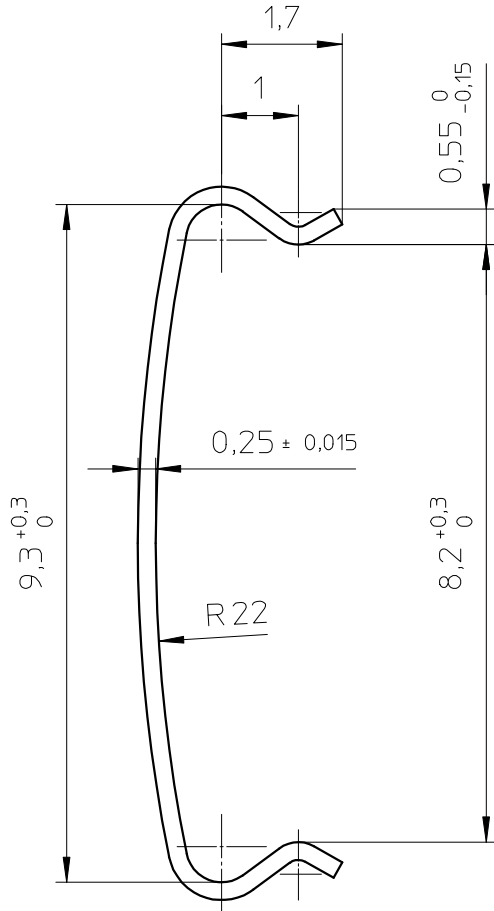
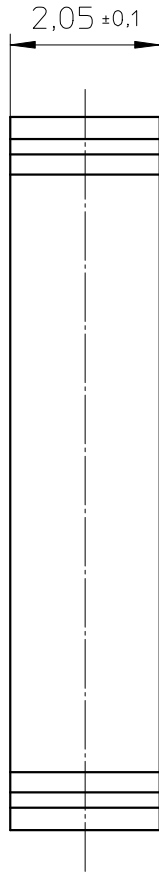
d

a

b

c

d



Clamping force by 9,1 mm : 6N.

Clip material : corrosion resisting steel X12 CrNi 17 7

CLASS.NO.

98-08-03

CLI-RM4/5/I

4322 021 34941

94-03-01

95-04-18

97-12-09

98-01-23

98-08-03

NAME
NAAM H.Tobben

SUPERS.
VERV.

1

SH
BL.

112

-

001

010

A4

MPA

CHECK
CONTR.

DAT.

91-09-13

Property of
Eigendom van

© FERROXCUBE 2000