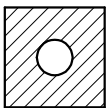
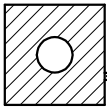
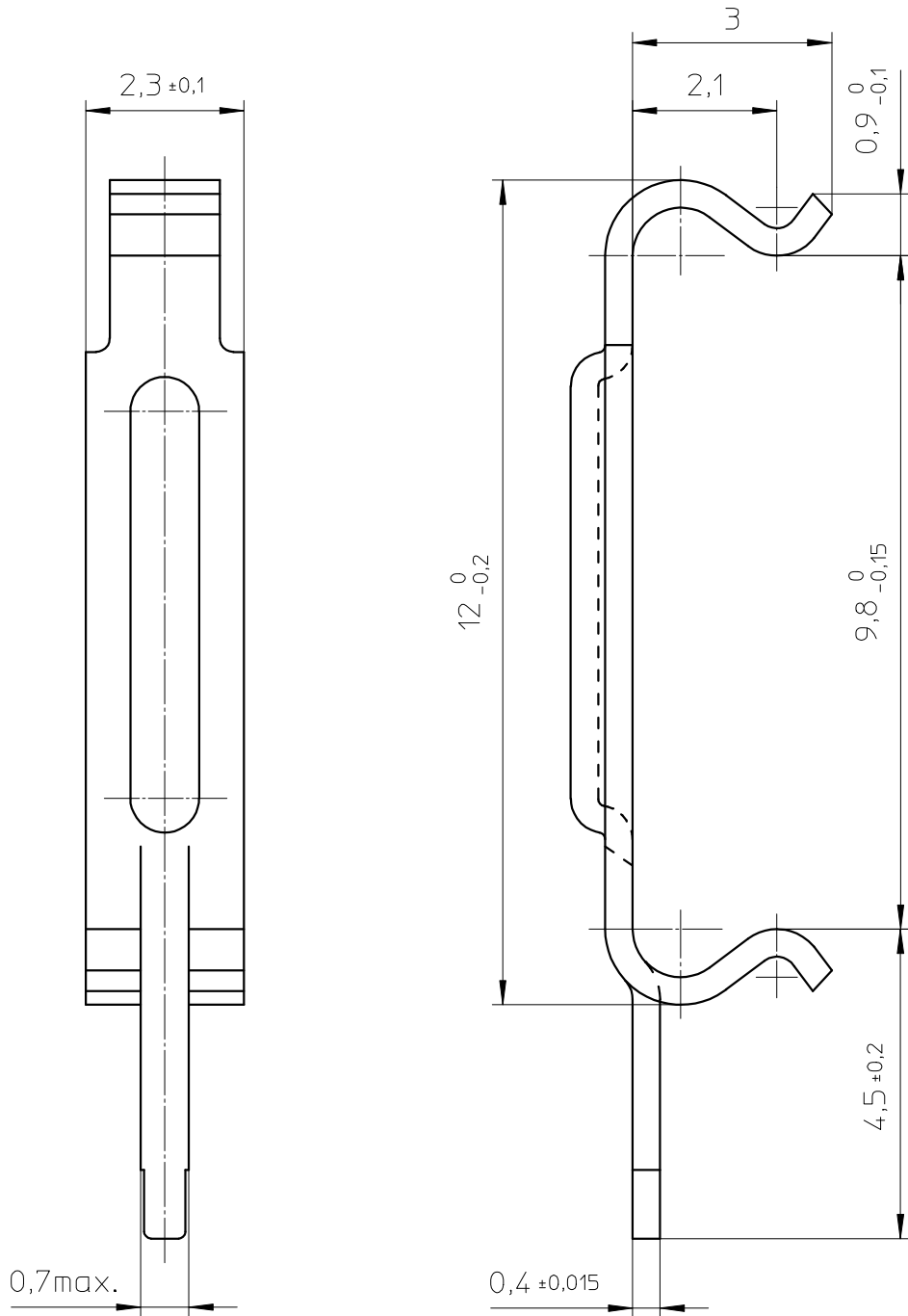


**FERROXCUBE**



1 2 3 4



Clamping force on core set  $\pm 20\text{N}$ .

Clip material : spring steel - Ni flash , Ag plated.

Solderability : IEC 68-2-20 part 2, Test Ta, method 1.

CLASS.NO.			91-08-23
	CLI/P-RM6		96-08-29
	4322 021 31787		97-01-15
96-08-29			
NAME NAAM	M.Veekens	SUPERS. VERV.	1 SH BL.
MPA	CHECK CONTR.	DAT.	91-08-23
		Property of Eigendom van	© FERROXCUBE 2000
		112 - 001 010	A4