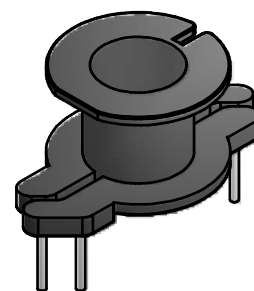
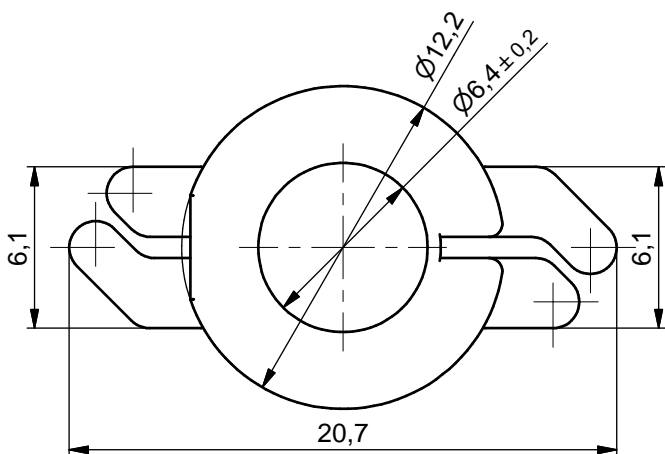
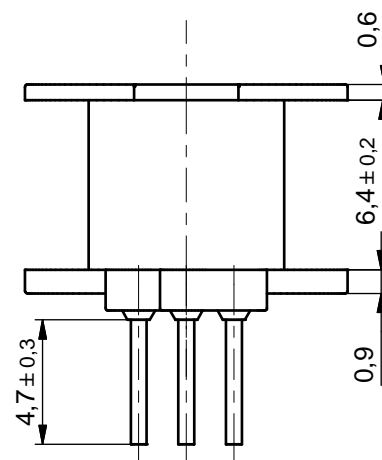
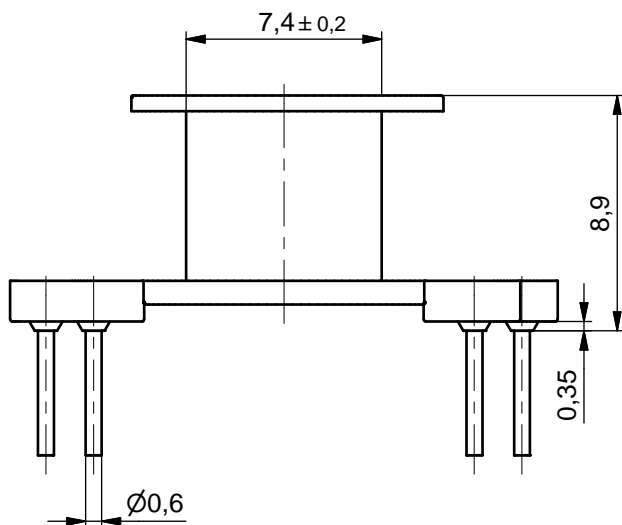
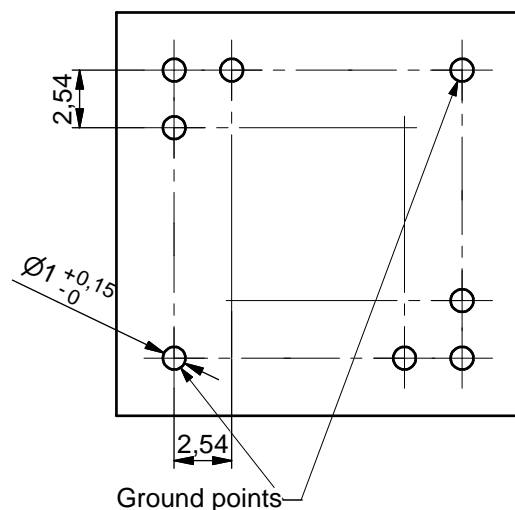


HOLE PATTERN  
Space requirement 6x6 pitch.



Coil former material : Sumikon PM9630 (PF), glass-reinforced  
UL file number: E41429 - UL94V-0

Pin material: CP wire , Sn plated  
Max. operating temp.: acc. to IEC 60 085 class H, 180°C  
Resistance to soldering heat: acc. to IEC 60 068-2-20 Part 2, Test Tb, method 1B, 350°C - 3,5 se c.  
Solderability : acc. to IEC 60 068-2-20 Part2, Test Ta, method 1, 235°C - 2 sec.  
Min. widening area : 15 sq mm.  
Mean length of turn: 30 mm.

CLASS.NO.			5
			4
			3
			2 2010-01-28
			1 2009-12-01
NAME M. Tryngiel	SUPERS.	001 SH BL SH BL	112 - 001
DATE:	Property of	FERROXCUBE Polska Sp. z o.o.	
		010	A4

CSV-RM6R-1S-6P-IZ-C

**4322 021 07211**