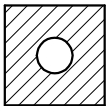
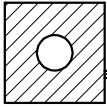


**FERROXCUBE**



1

2

3

4

a

b

c

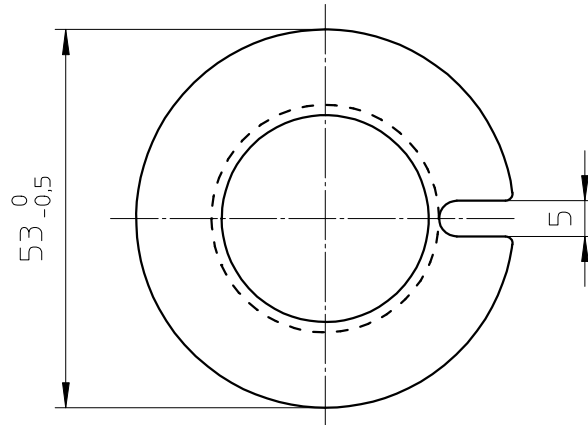
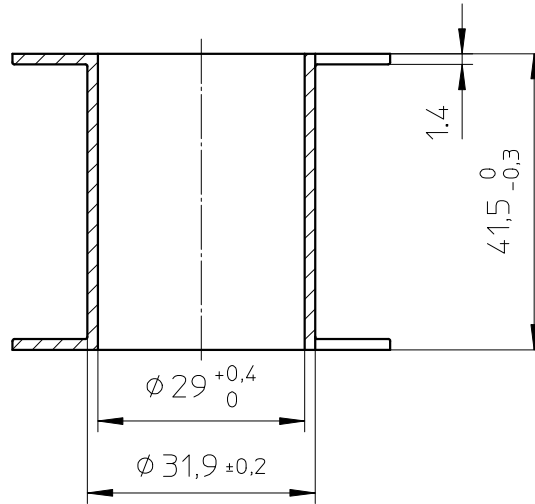
d

a

b

c

d



Coil former material: Rynite FR530 (PET), glass reinforced (color black).

UL file number: E41938 - UL94V-0.

Max. operating temp.: 180°C class H

Winding area: 400,0 mm<sup>2</sup>.

Mean length of turn: 130 mm.

CLASS.NO.				06-08-28	
		CP-P66/56-1S-C		4322 021 06561	
NAME NAAM		A.Wojtasz		1 SH SH 112 - 001 010	
MPA		CHECK CONTR.		A4	
DAT.		06-08-28		Property of Eigendom van	
				© FERROXCUBE 2000	