



c



d

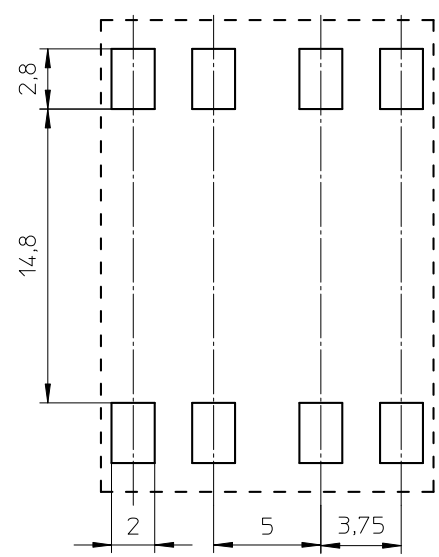
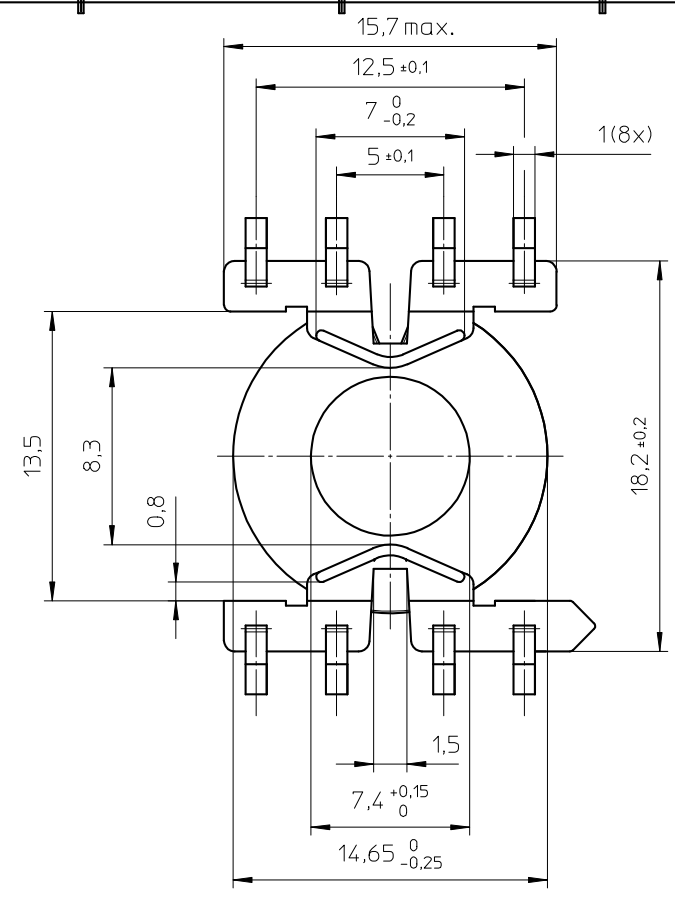
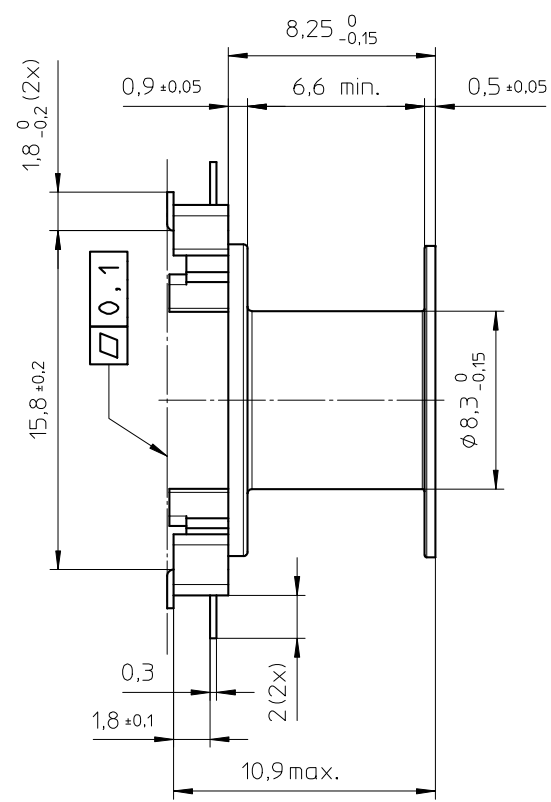
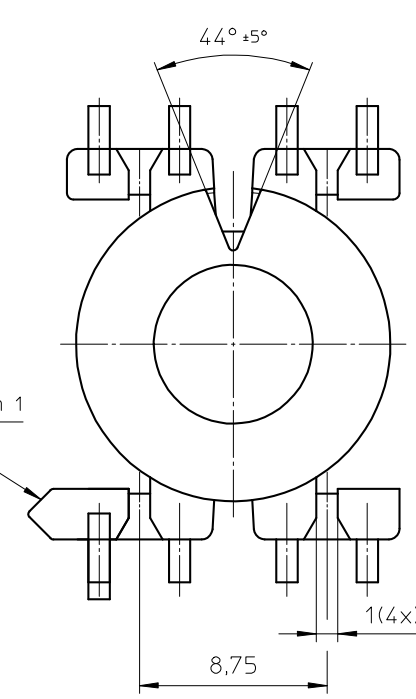


e

f

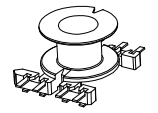


1 2 3 4 5 6 7 8



PROPOSED PAD ARRANGEMENT:

Coil former material: Sumikon PM9630 (PF), glass-reinforced.
 UL file number: E41429(M) - UL94V-0.
 Pin material: CuSn6, Sn plated.
 Max. operating temp.: acc. to IEC 60 085 class F, 155°C.
 Resistance to soldering heat: acc. to IEC 60 068-2-20 Part 2, Test Tb, method 1B, 350°C - 3,5s.
 Solderability: acc. to IEC 60 068-2-20 Part 2, Test Ta, method 1, 235°C - 2s.



CLASSNO.		CSVS-RM7-1S-8P-Z		4322 021 06391		2004-06-14
NAME NAAM		A.Wojtasz		SUPERS. VERV.		2004-10-..
MPA		CHECK CONTR.		DAT.		2004-06-14
		Property of Eigendom van		© FERROXCUBE 2008		A3