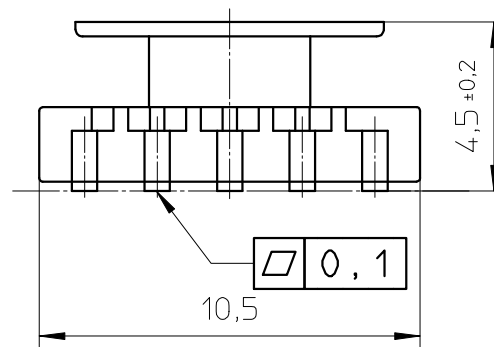
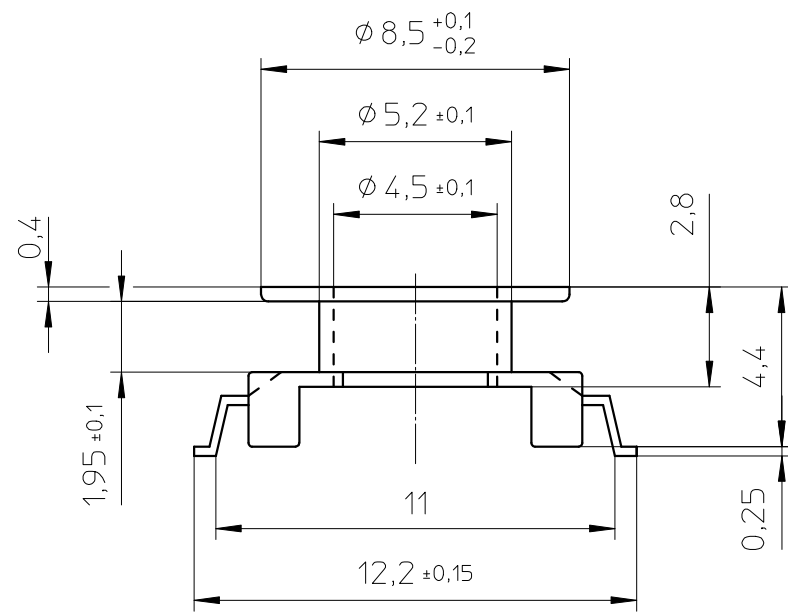
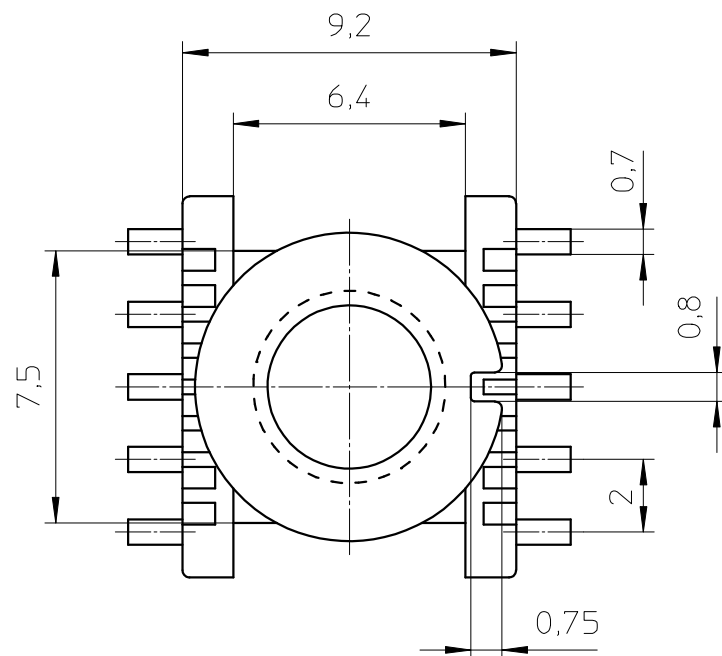
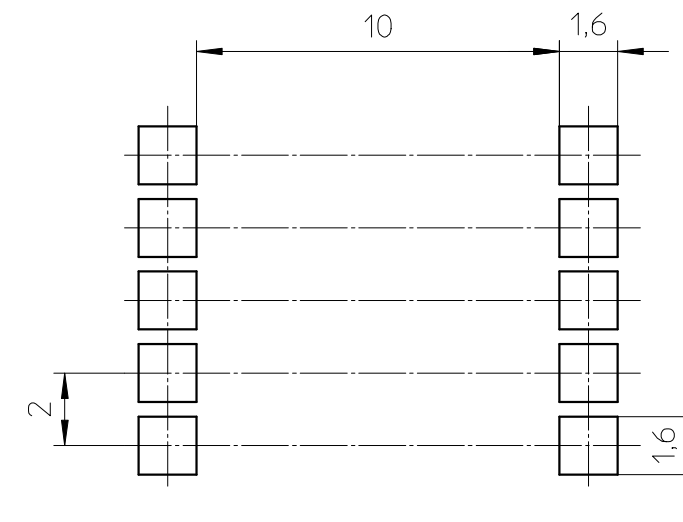


FERROXCUBE

1 2 3 4 5 6 7 8



PROPOSED PAD ARRANGEMENT:



Coil former material: Sumikasuper E4008 (LCP), glass-reinforced.
 UL file number: E54705 - UL94V-0
 Pin material: CuSn - Ni flash, Sn plated.
 Max. operating temp.: acc. to IEC 60085 class F, 155°C.
 Resistance to soldering heat: acc. to IEC 60068-2-20 Test Ta, method 1B, 350°C - 3,5sec.
 Solderability: acc. to IEC 60068-2-20 Part 2, Test Ta, method 1, 235°C - 2sec.
 Min. winding area: 2,8 mm².
 Mean length of turn: 21,6 mm.

CLASS.NO.	CPVS-ER11-1S-10P-Z		4322 021 06141	03-02-20	06-04-19
NAME NAAM	A.Wojtasz	SUPERS. VERV.	1 SH BL	112 - 001	069
MPA	CHECK CONTR.	DAT.	03-02-20	Property of Eigendom van	© FERROXCUBE 2000

1 2 3 4