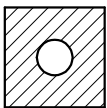
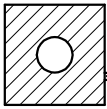
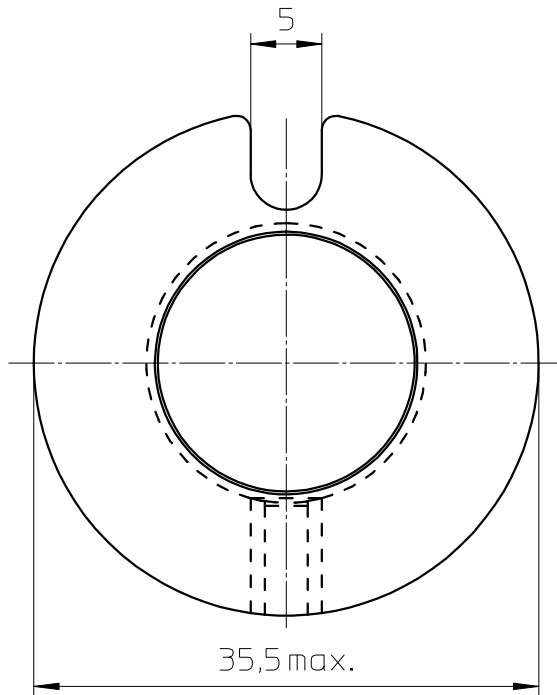
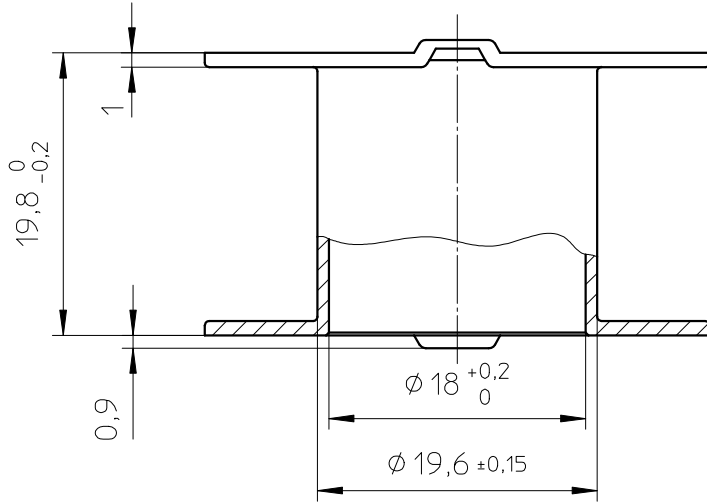


FERROXCUBE



1 2 3 4



Coil former material: Zytel FR50 (PA6.6).
 UL filenumber: E41938 - UL94V-0.
 Max. operating temp.: 130°C.
 Winding area: 140 mm².
 Mean length of turn: 86 mm.

CLASS.NO.									03-04-29	
									03-07-09	
									04-03-12	
NAME NAAM	M.Veekens	SUPERS. VERV.		1	SH BL	112	-	001	010	A4
MPA	CHECK CONTR.	DAT.	03-04-29	Property of Eigendom van		© FERROXCUBE 2000				

CP-P42/29-1S-C

4322 021 04471