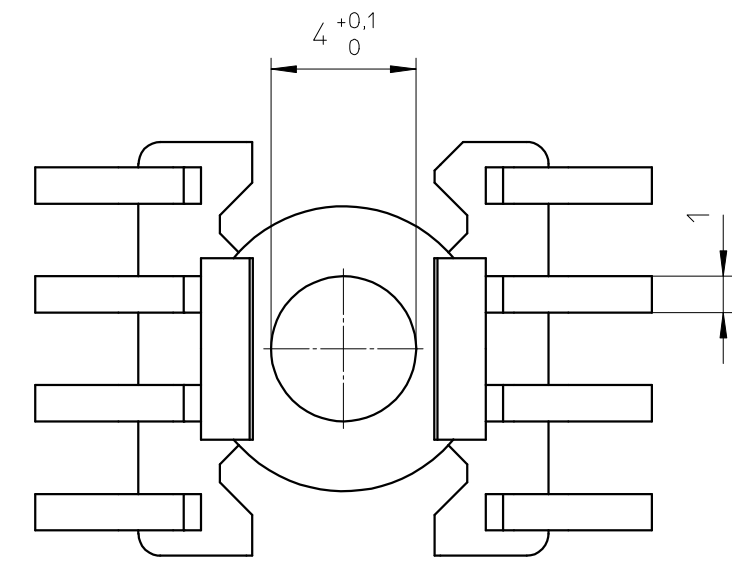
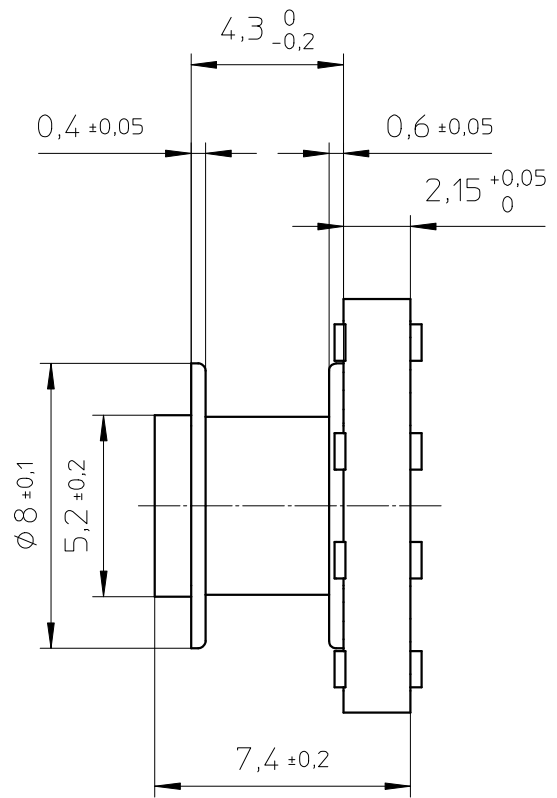
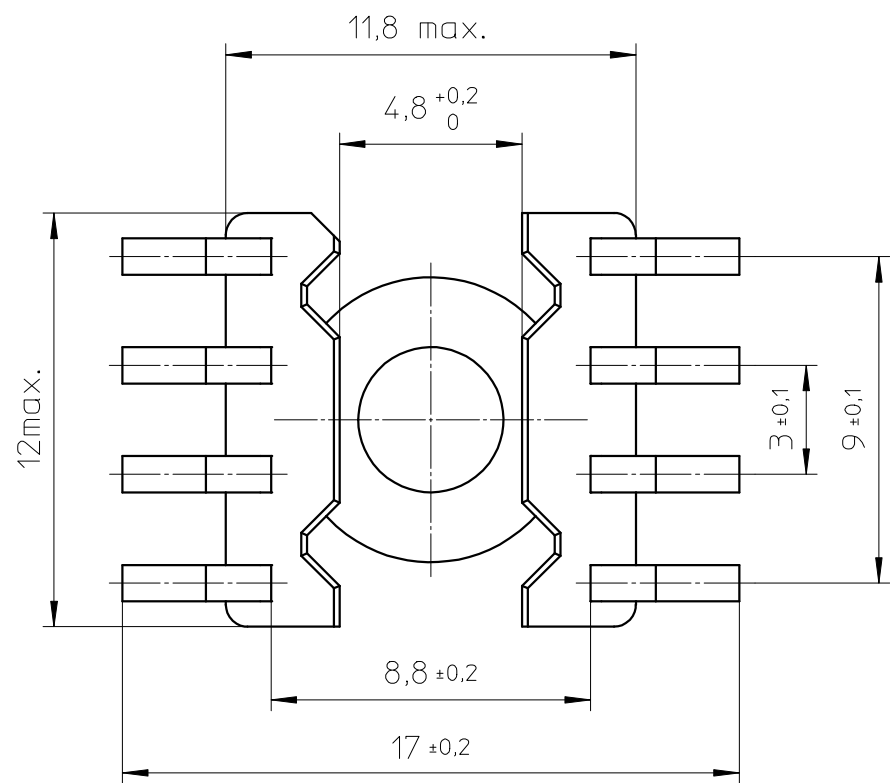
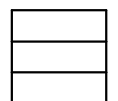
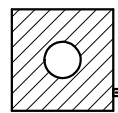
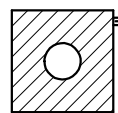
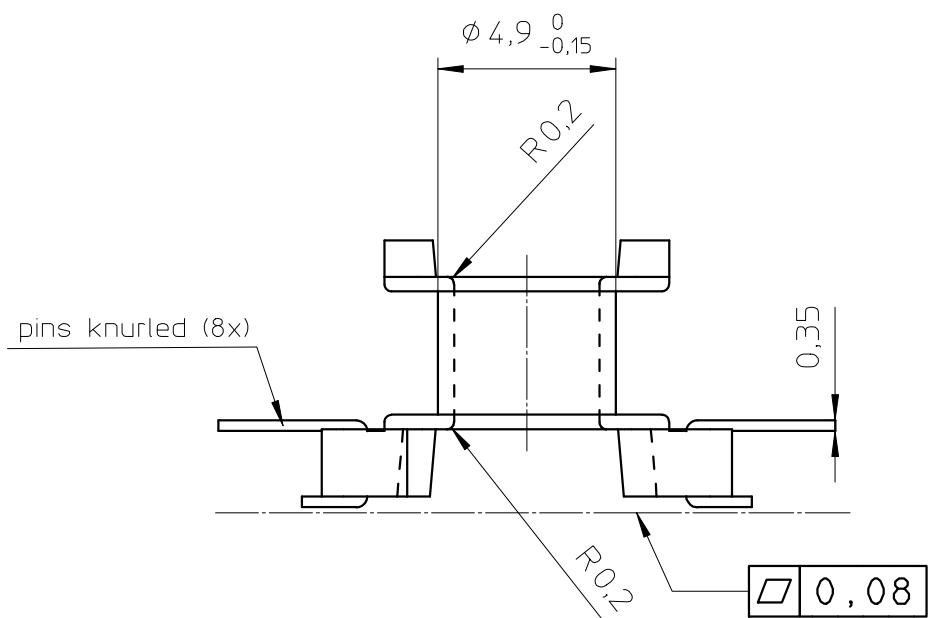
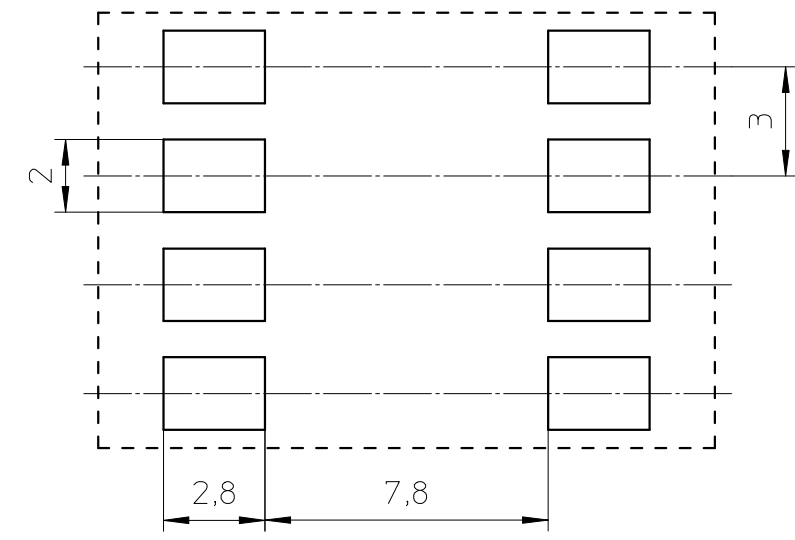


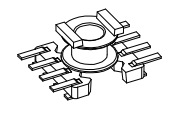
**FERROXCUBE**



PROPOSED PAD ARRANGEMENT:



Coil former material: Sumikon PM9630 (PF), glass-reinforced.  
 UL file number: E41429(M) - UL94V-0.  
 Pin material: CuSn - Ni flash, Sn plated.  
 Max. operating temp.: acc. to IEC 60 085 class F, 155°C.  
 Resistance to soldering heat: acc. to IEC 60 068-2-20 Part 2, Test Tb, method 1B, 350°C - 3,5s.  
 Solderability: acc. to IEC 60 068-2-20 Part 2, Test Ta, method 1, 235°C - 2s.



CLASS.NO.	CSVS-RM4/LP-1S-8PL		4322 021 03261	99-05-31
00-07-24				00-07-24
				01-06-27
				06-06-28
				06-07-20
NAME NAAM MPA	A.Wojtasz	SUPERS. VERV.	001 SH SH BL BL 112 - 001	069
CHECK CONTR.	DAT.	99-03-15	Property of Eigendom van	© FERROXCUBE 2000
				A3