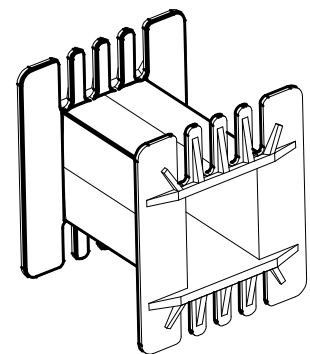
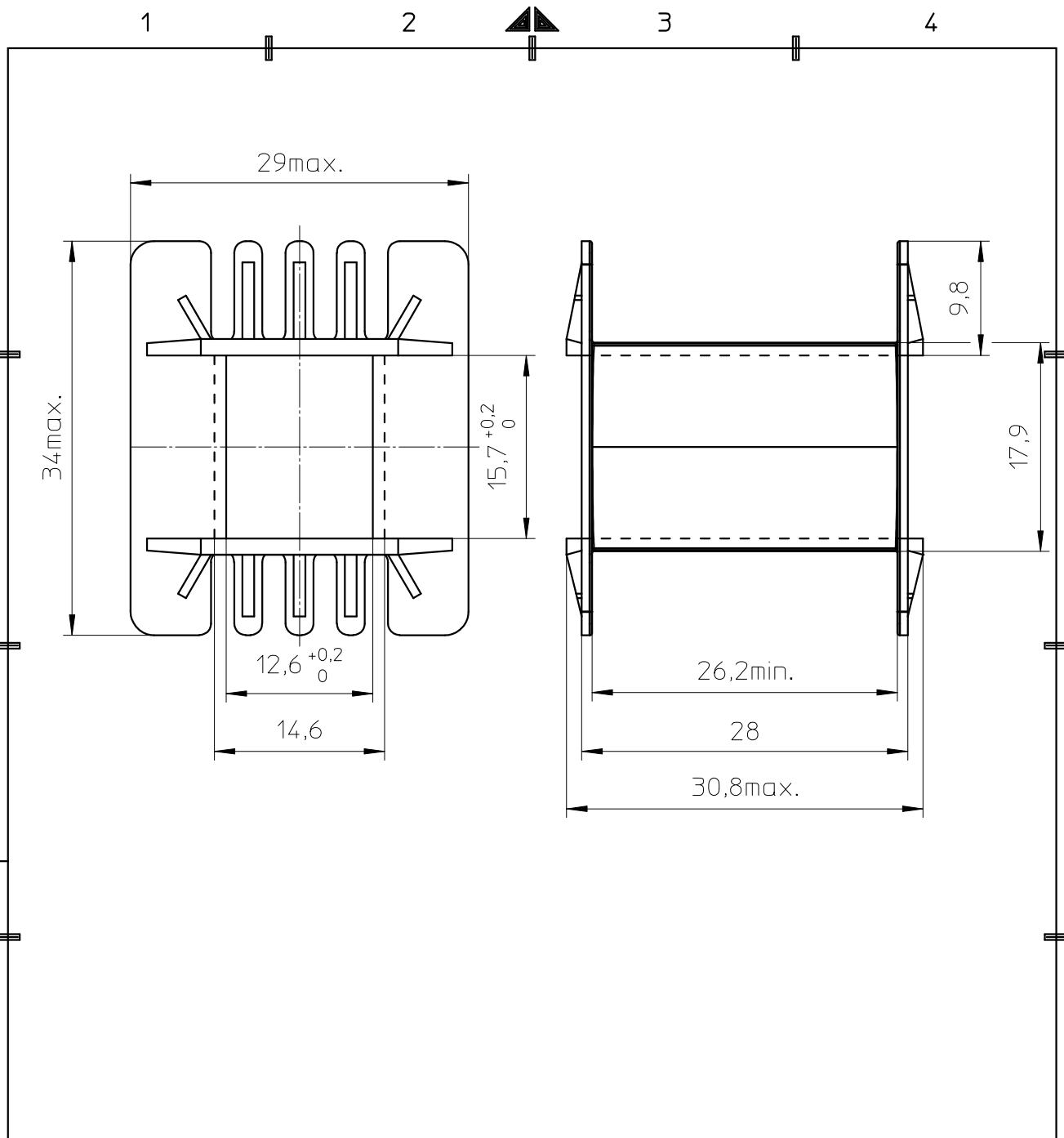
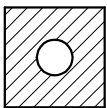
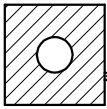


**FERROXCUBE**



Coil former material: Valox 420SEO (PBT), glass-reinforced.  
 UL file number: E45329(R) - UL94V-0.  
 Max. operating temp.: acc. to IEC 85 class F, 155°C.  
 Min. winding area: 178 mm<sup>2</sup>.  
 Mean length of turn: 93 mm.

CLASS.NO.		CP-E42/21/15-1S		4322 021 02641		1	98-02-09			
						1	98-05-04			
NAME NAAM	M.Veekens	SUPERS. VERV.	8222 294 4604	1	SH BL.	112	-	001	010	A4
MPA	CHECK CONTR.	DAT.	98-02-09	Property of Eigendom van		© FERROXCUBE 2000				