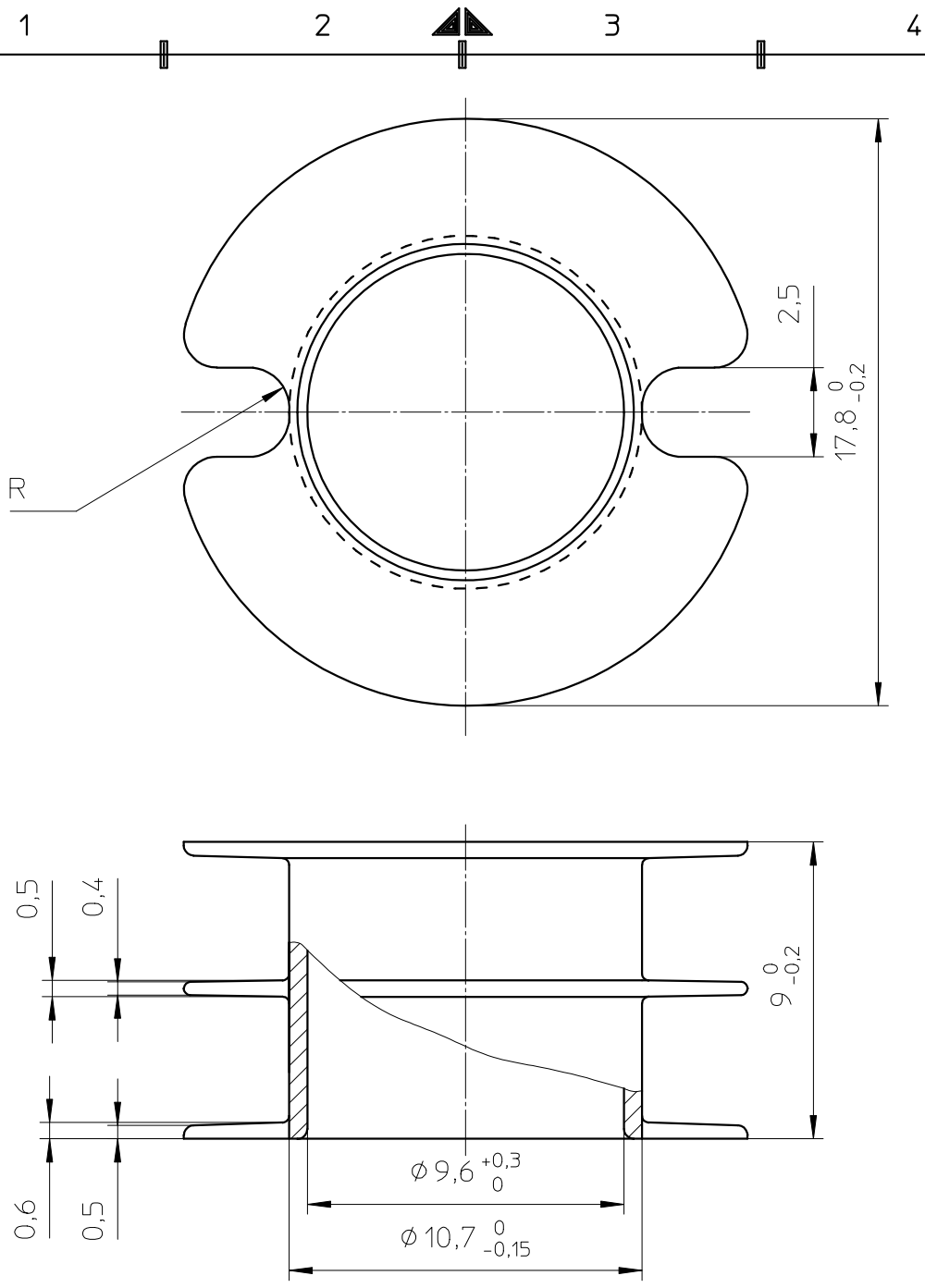
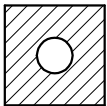
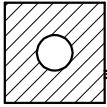


FERROXCUBE



Coil former material: Valox 420SEO (PBT), glass-reinforced.
 UL file number: E45329 - UL94V-0.
 Max. operating temp.: acc. to IEC 60 085 class F, 155°C.
 Min. winding area: 24,5 mm².
 Mean length of turn: 44,5 mm.

CLASS.NO.						97-08-22	
		CP-P22/13-2S		4322 021 02421		00-07-07	
00-07-07							
NAME NAAM	M.Veekens	SUPERS. VERV.	4322 021 30312	1	SH BL.	112	- 001 010
MPA	CHECK CONTR.	DAT.	97-08-22	Property of Eigendom van		© FERROXCUBE 2000	
						A4	