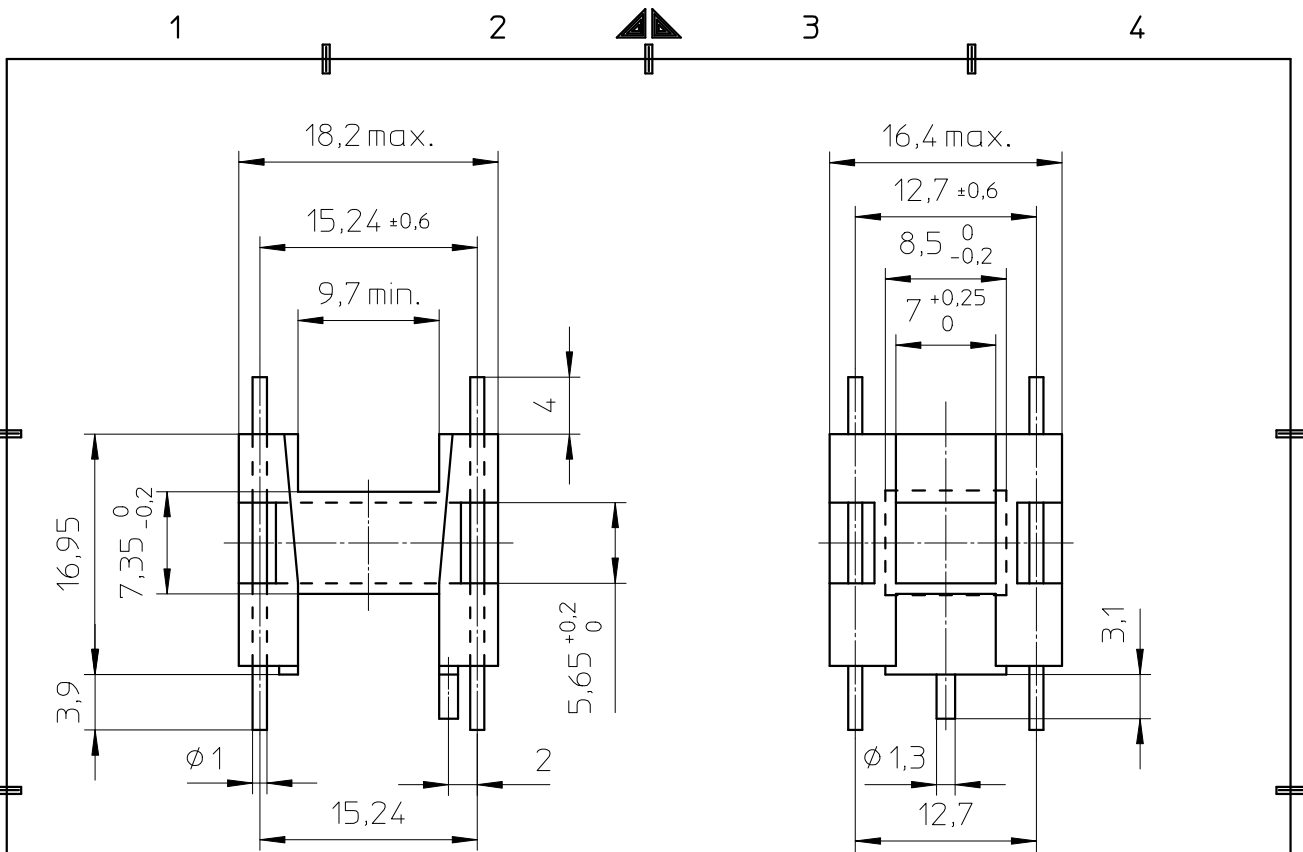
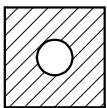
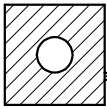
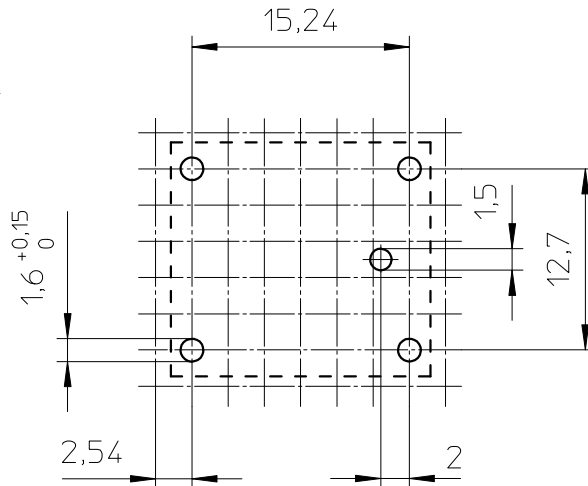


FERROXCUBE



HOLE PATTERN:



Coil former material: Rynite FR530 (PET), glass-reinforced.
UL file number: E69578(M) - UL94V-0.
Pin material: CuSn - Ni flash, Sn plated.
Max. operating temp.: acc. to IEC 60 085 class F, 155°C.
Resistance to soldering heat: acc. to IEC 60 068-2-20 Part 2, Test Tb, method 1B, 350°C-3.5s
Solderability: acc. to IEC 60 068-2-20 Part 2, Test Ta, method 1, 235°C-2s
Min. winding area: 37,3 mm²
Mean length of turn: 48,7 mm.

CLASS.NO.

96-08-29

CPH-U15/11/6-1S-4P

4322 021 01581

~~96-05-10~~

~~96-06-24~~

~~96-08-29~~

~~97-01-07~~

2004-09-28

NAME M.Veekens

SUPERS. VERV.

1

SH

BL.

112

-

001

010

A4

MPA

CHECK CONTR.

DAT. 95-12-07

Property of Eigendom van

© FERROXCUBE 2000