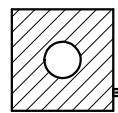
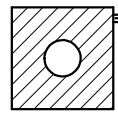
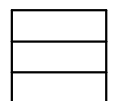


**FERROXCUBE**



e

f



1

2

3

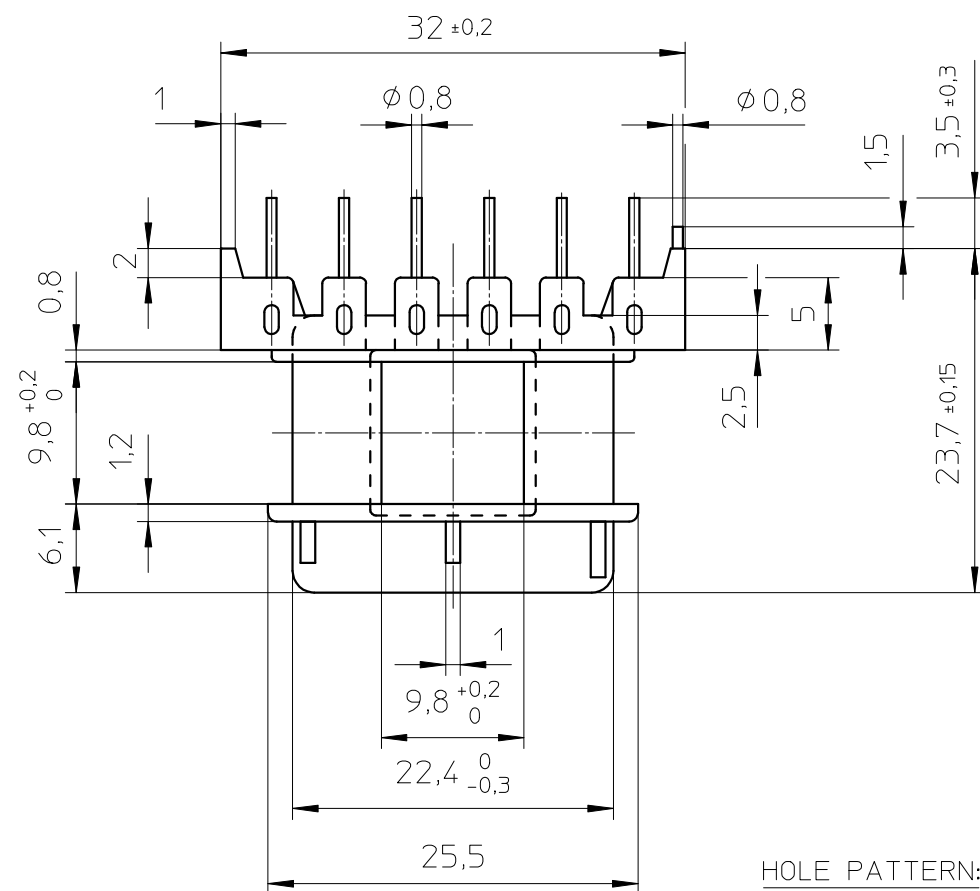
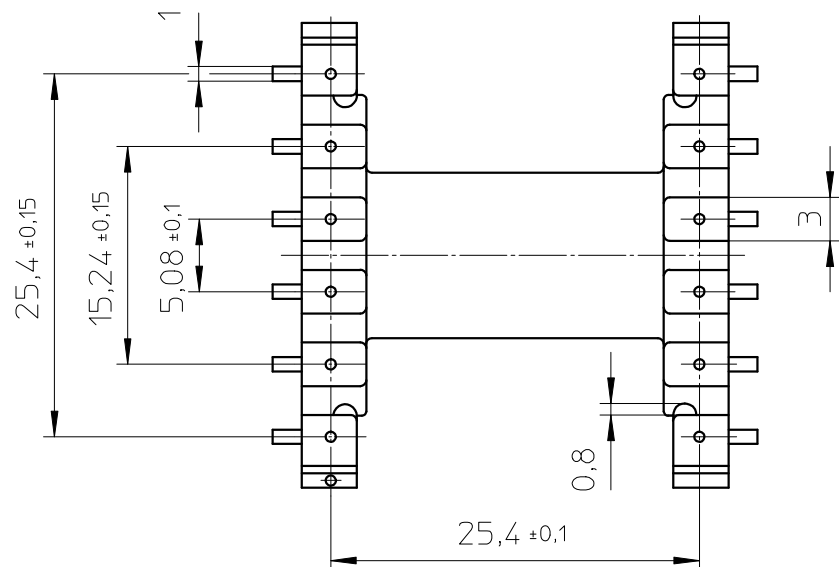
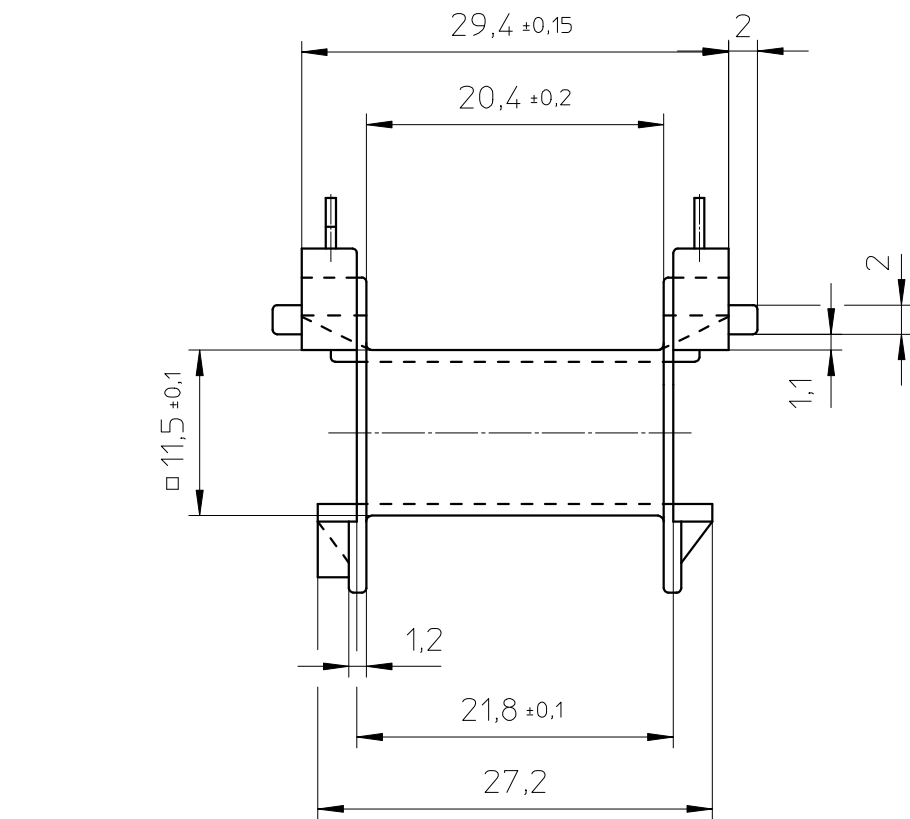
4

5

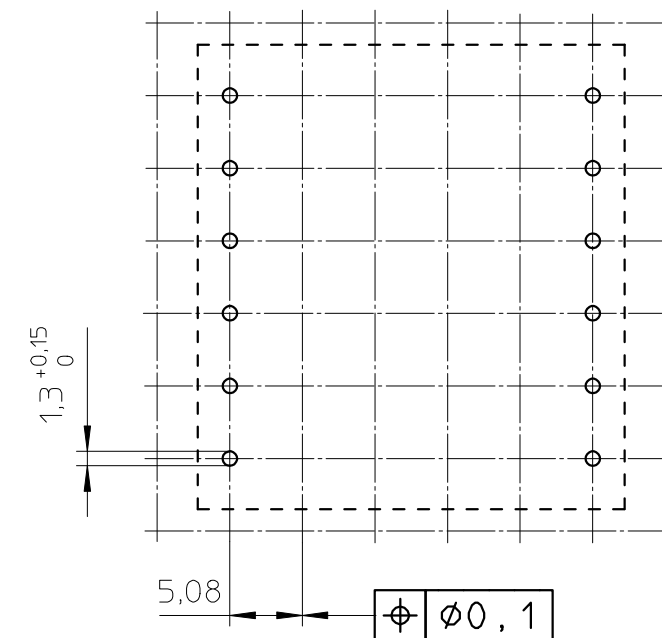
6

7

8



HOLE PATTERN:



Coil former material : Ultramide A3X2G7 (PA6.6), glass-reinforced.  
UL File number: E41871 - UL94V-0.

Pin material : CuSn6 , Sn plated.

Max. operating temp. : 130°C class B

Resistance to soldering heat : 350°C - 2sec.

Solderability : IEC 60 068-2-20 Part 2, Test Ta, method 1.

Winding area : 96,9 mm<sup>2</sup>

Mean length of turn : 60 mm.

CLASS.NO.	CPH-E32/16/9-1S-12P		4312 021 26222	95-05-18
				99-10-06
				02-07-05
				03-10-09
				05-05-31
NAME NAAM MPA	M.Veekens	SUPERS. VERV. DAT.	001 SH SH BL BL 112 - 001 010	A3
CHECK CONTR.		91-06-21	Property of Eigendom van © FERROXCUBE 2000	